
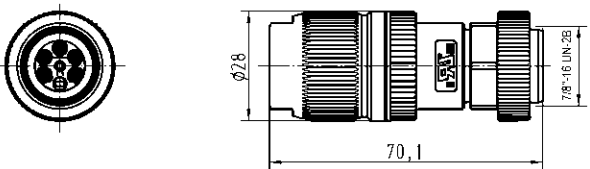

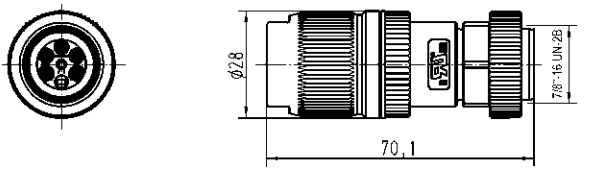

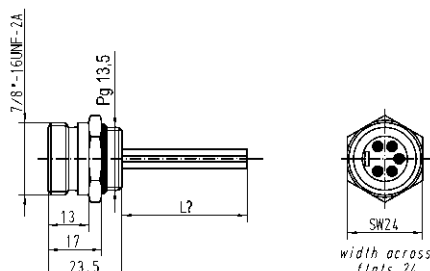




Rapid termination technology *HARAX*®

## Technical characteristics

Number of contacts	5
Rated voltage	230 V / 400 V AC/DC
Rated voltage UL	600 V AC/DC
Rated current	10 A
Test voltage	4 kV
Wire gauge	0.75 - 1.5 mm <sup>2</sup>
Diameter of individual strands	≥ 0.2 mm
Wire insulation material	Polyvinylchloride
Wire diameter	≤ 2.8 mm
Cable diameter	6 - 9.5 mm / 9 - 12.5 mm
Temperature range	-40°C ... +85°C
Temperature during termination	-5°C ... +50°C
Protection degree	IP 65 / 67
Reconnection to the same wire gauge	10 times

Identification	Part-Number	Drawing	Dimensions in mm
<p><i>HARAX</i>® 7/8“ male</p> 	21 04 116 1505		
<p><i>HARAX</i>® 7/8“ female</p> 	21 04 116 2505		
<p>Panel feed-through</p> 	21 04 316 1505		

# HARAX® M12-L, 5 pins



Rapid termination technology HARAX®

## Features

- Easy handling
- Field terminatable
- Suitable for wire gauges up to 0.5 mm<sup>2</sup> / AWG 22
- Available for cable diameter up to 8 mm
- Suitable for bus cables with signal and power wires

## Technical characteristics

Rated voltage	50 V
Rated current	4 A
Wire gauge	0.14 - 0.5 mm <sup>2</sup> AWG 26 - 22
Diameter of individual strands	≥ 0.1 mm
Wire insulation material	PVC
Wire diameter	1.2 - 2.0 mm
Cable diameter	5.5 - 8.0 mm
Temperature range	-25°C ... +85°C
Temperature during termination	-5°C ... +50°C
Protection degree	IP 65 / IP 67
Reconnection to the same wire gauge	10 times

### Part-Number

Identification

Male connector

Female connector

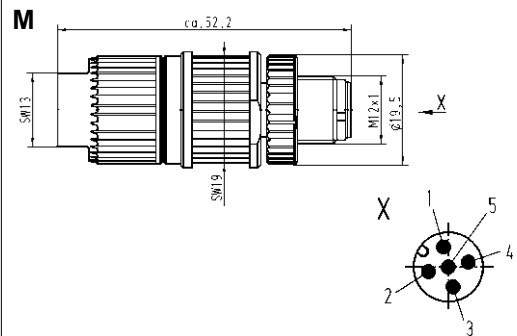
Drawing

Dimensions in mm

**HARAX® M12-L, 5 pins**

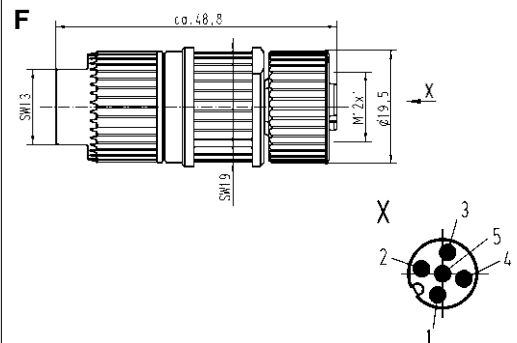
Wire gauge  
0.14 - 0.34 mm<sup>2</sup>  
AWG 26 - AWG 22

21 03 271 1505 21 03 271 2505



Wire gauge  
0.34 - 0.5 mm<sup>2</sup>  
AWG 22

21 03 272 1505 21 03 272 2505



Seal M12-L



21 01 010 2007

